

INSTALLATION

MANUAL

WWW.XKGLOW.COM

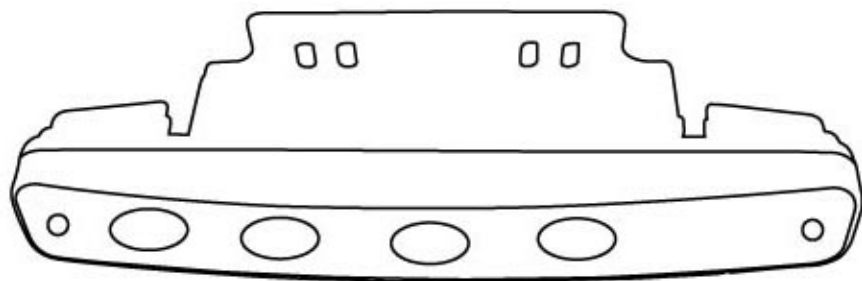
XK035003

DRLS

Led Daytime Running Lights

Please read the device manual before your installation

Kit includes

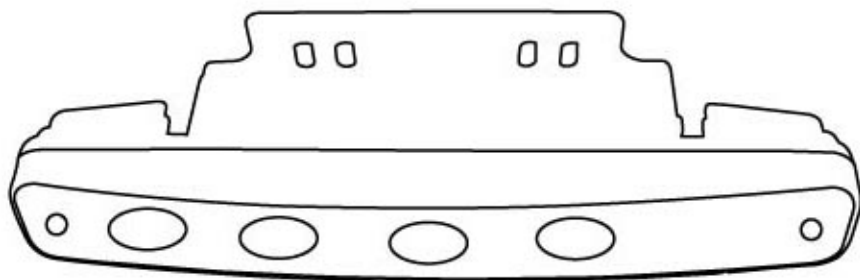


12 V ➔ **2PT 010 043-011**
24 V ➔ **2PT 010 043-031**



12 V ➔ **2PT 010 043-021**
24 V ➔ **2PT 010 043-041**

Kit includes



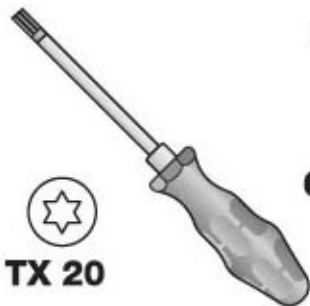
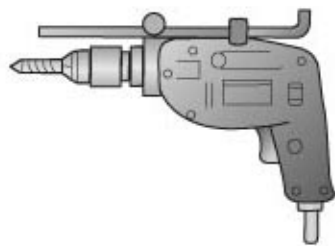
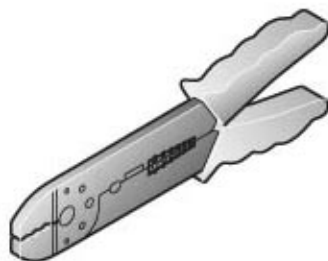
PT4



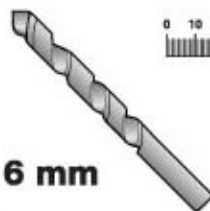
** Bracket is not necessary for mounting*

12 V  **2PT 010 043-801**

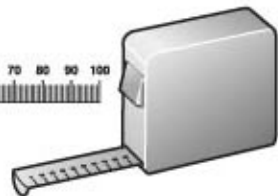
Tools required

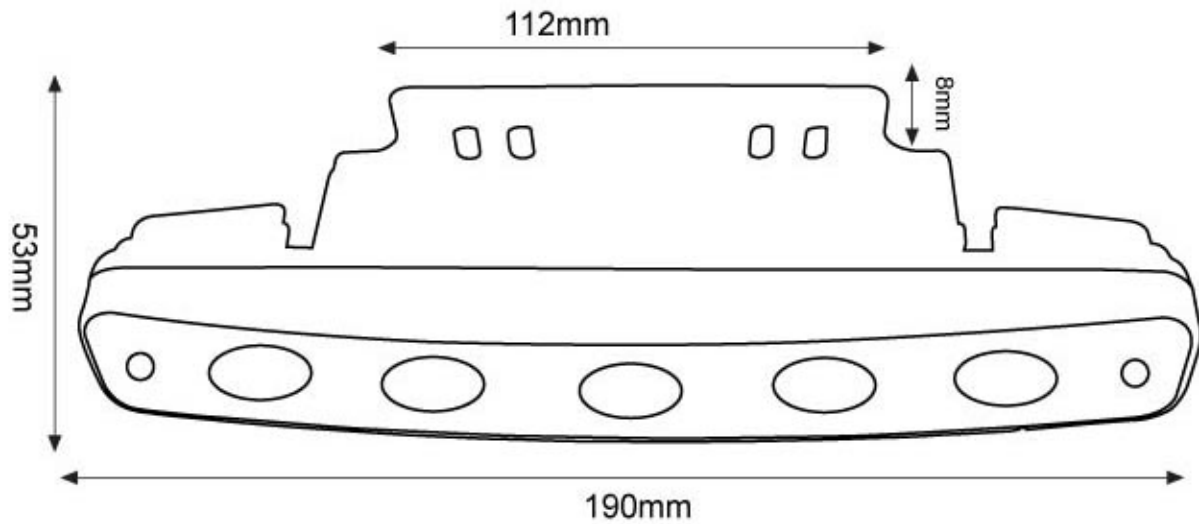
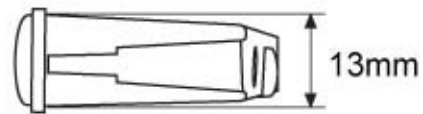


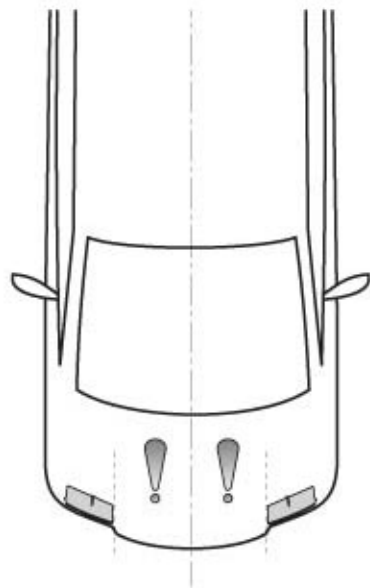
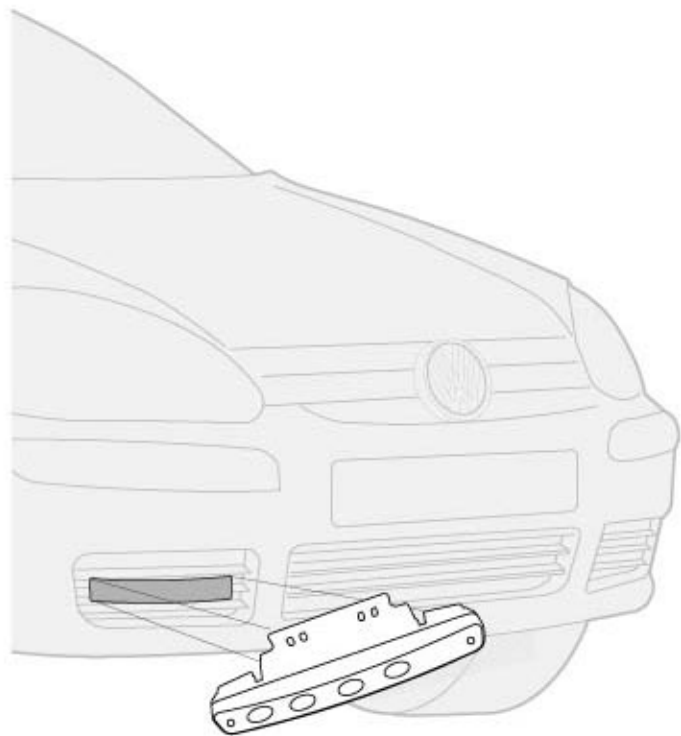
TX 20

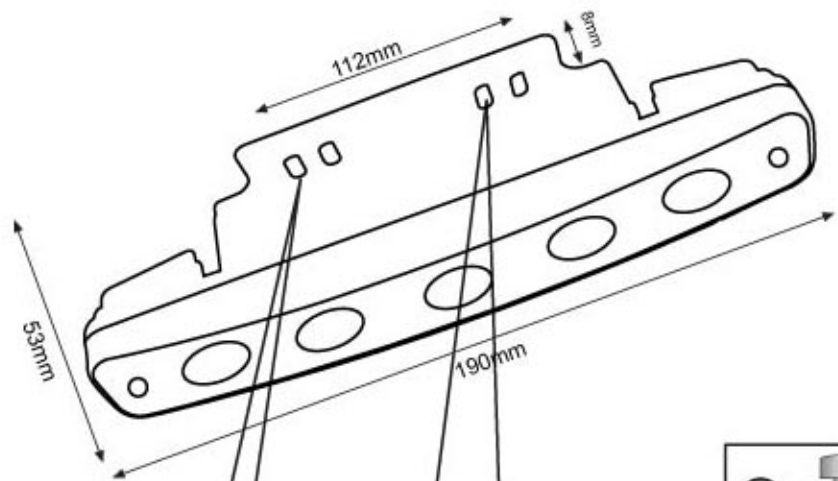


6 mm






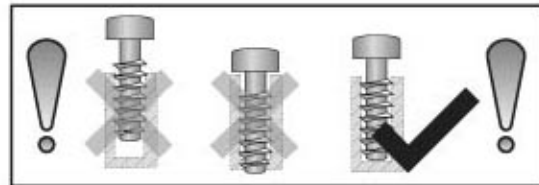


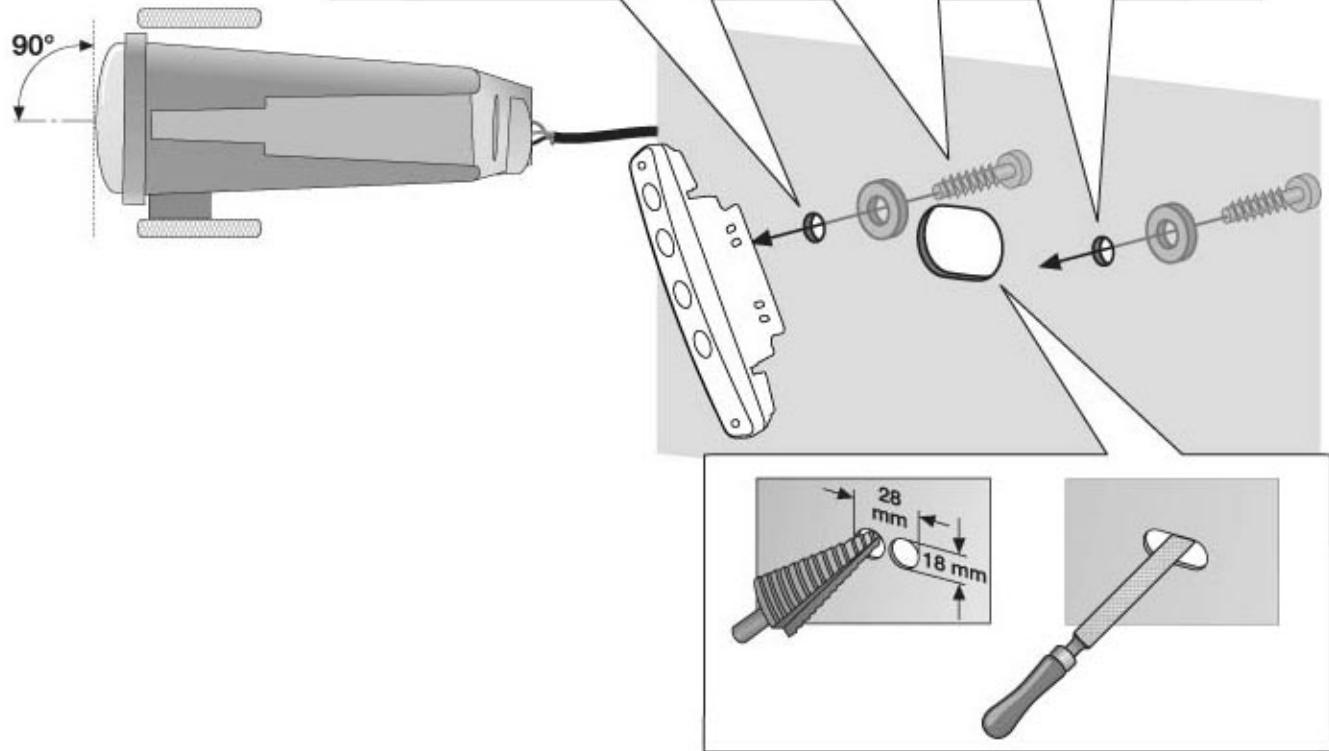


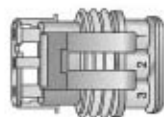
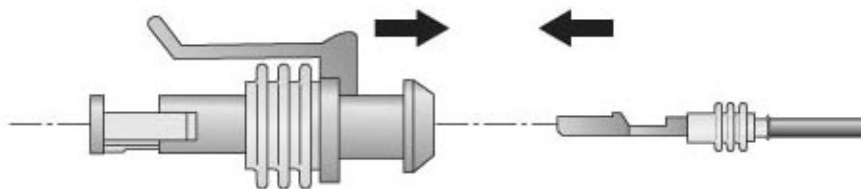
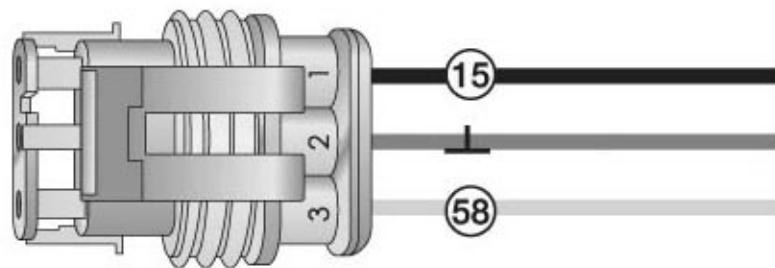
PT4



max. 1,5 Nm



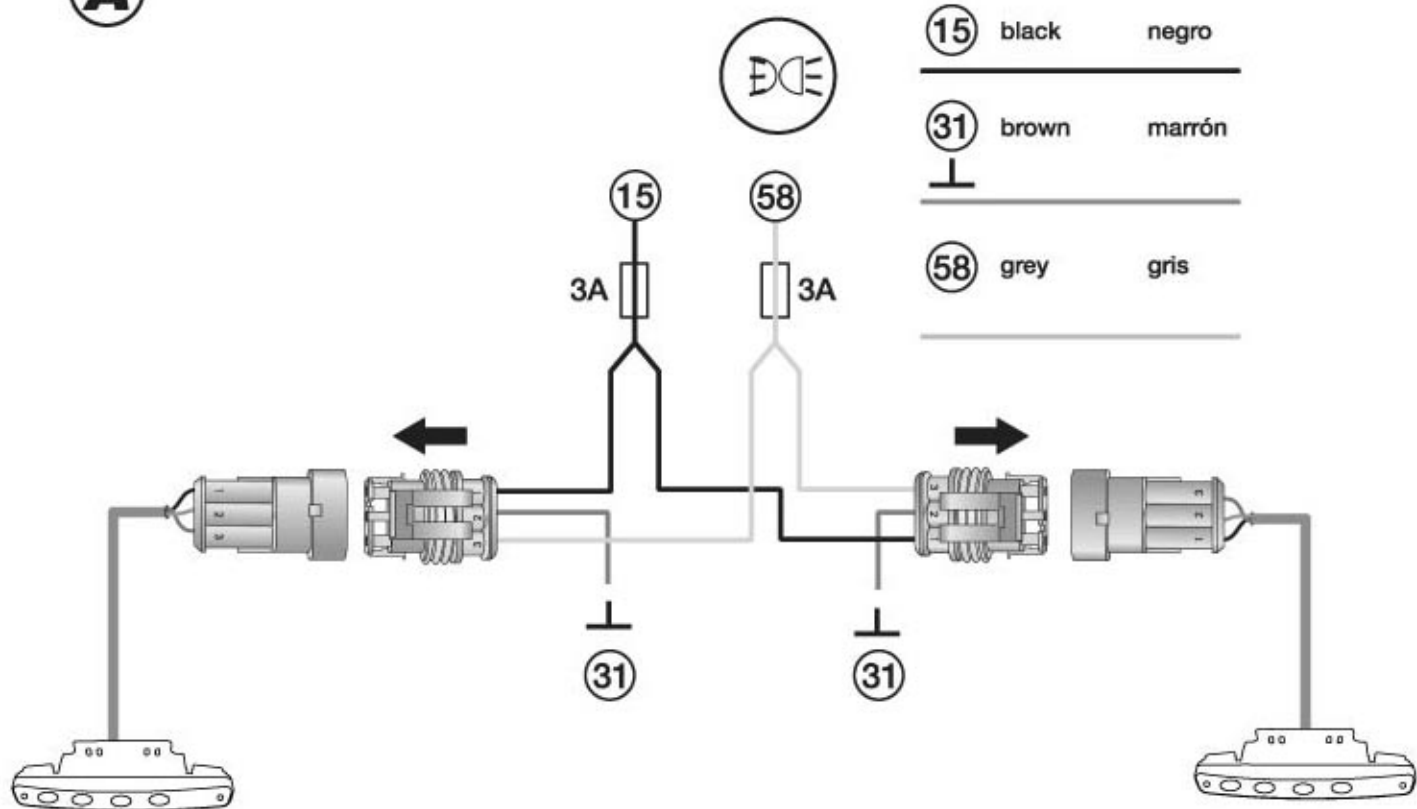


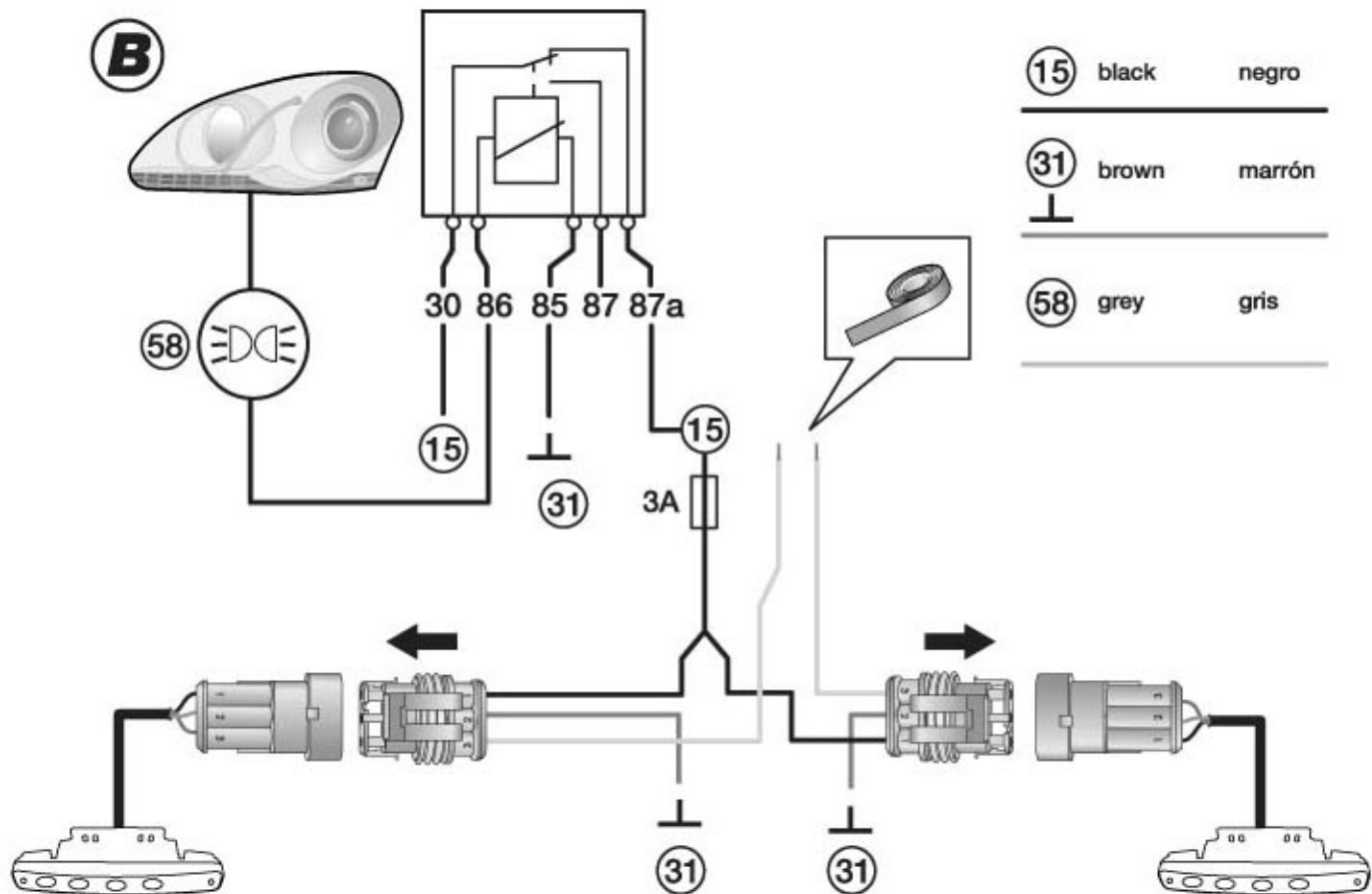


8KW 744 807-801

Not included with kit

A



B

Note! According to ECE R-48, only two front position lights may be active. If the position light function is to be taken over by the LED lights, the standard position light must be deactivated.

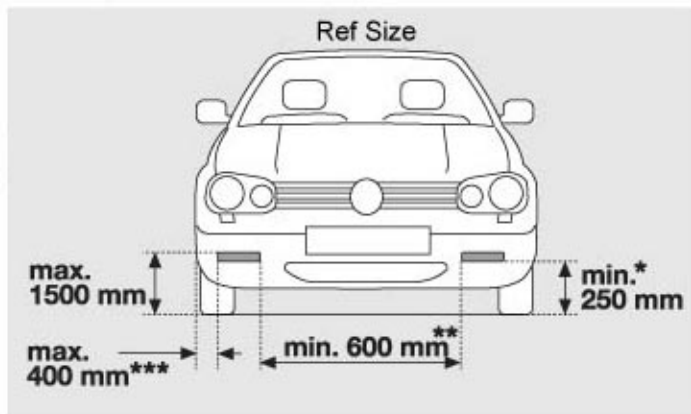
Montage **Page 6**

When mounting, it must be ensured that the light stands proud after installation. This can be achieved by using a microcellular rubber strip, for example.

* When used with position light min. 350 mm.

** With vehicles less than 1300 mm wide, the distance has to be at least 400 mm.

*** When used with position light max. 400mm. If the light is only used for the daytime running light function, this restriction does not apply.



Electrical connection **Page 10**

Lay and connect the cables in accordance with the connection diagram.

According to the connection diagram, the daytime running lights are switched on automatically with the ignition.

Caution!

Daytime running lights

- are **not** a substitute for low beam at dawn/dusk or during darkness.
- they shine only when the vehicle lighting is switched off and the ignition is switched on.
- they switch off **automatically** when switching on the vehicle lighting.
- are approved in accordance with ECE R87.
- may be fitted in accordance with EC Directive EC R97/28 and ECE R48. We recommend that the installation instructions are carried along with the vehicle documentation.

Function
LED combination light
Daytime running light/
Position light

Input, daytime running light	Input, position light	Function of the light
0 V	0 V	Light off
0 V	Supply voltage	Light off
Supply voltage	0 V	Daytime running light active
Supply voltage	Supply voltage	Daytime running light off

Caution!

Position light always has priority
over daytime running light!